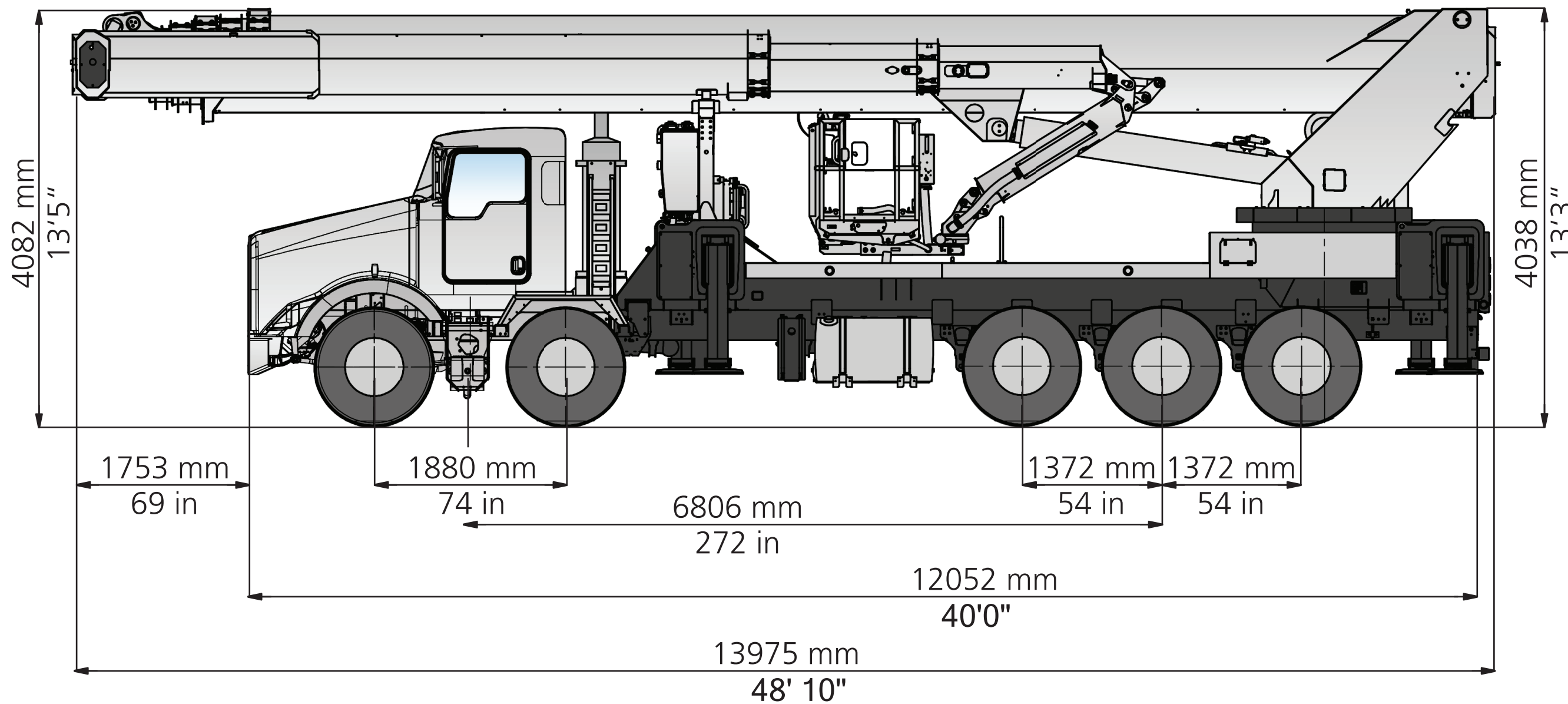


RUTHMANN T 243 A

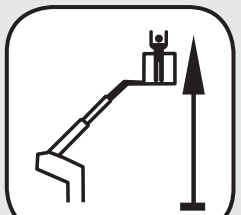
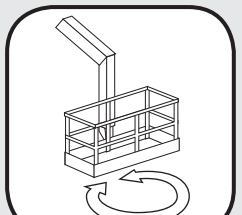
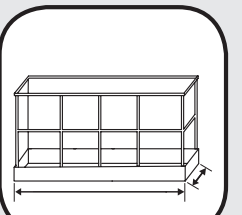
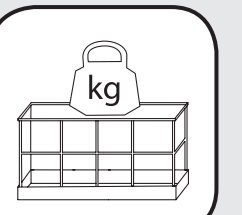
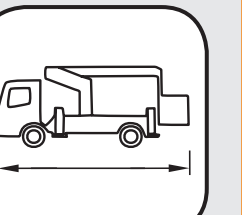
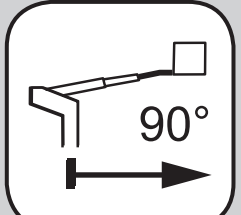
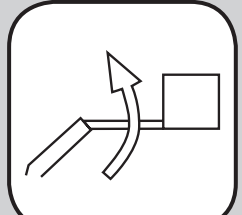
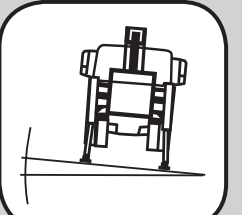
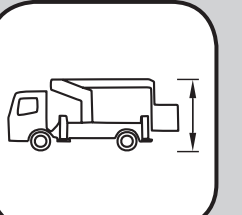
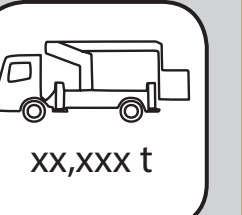


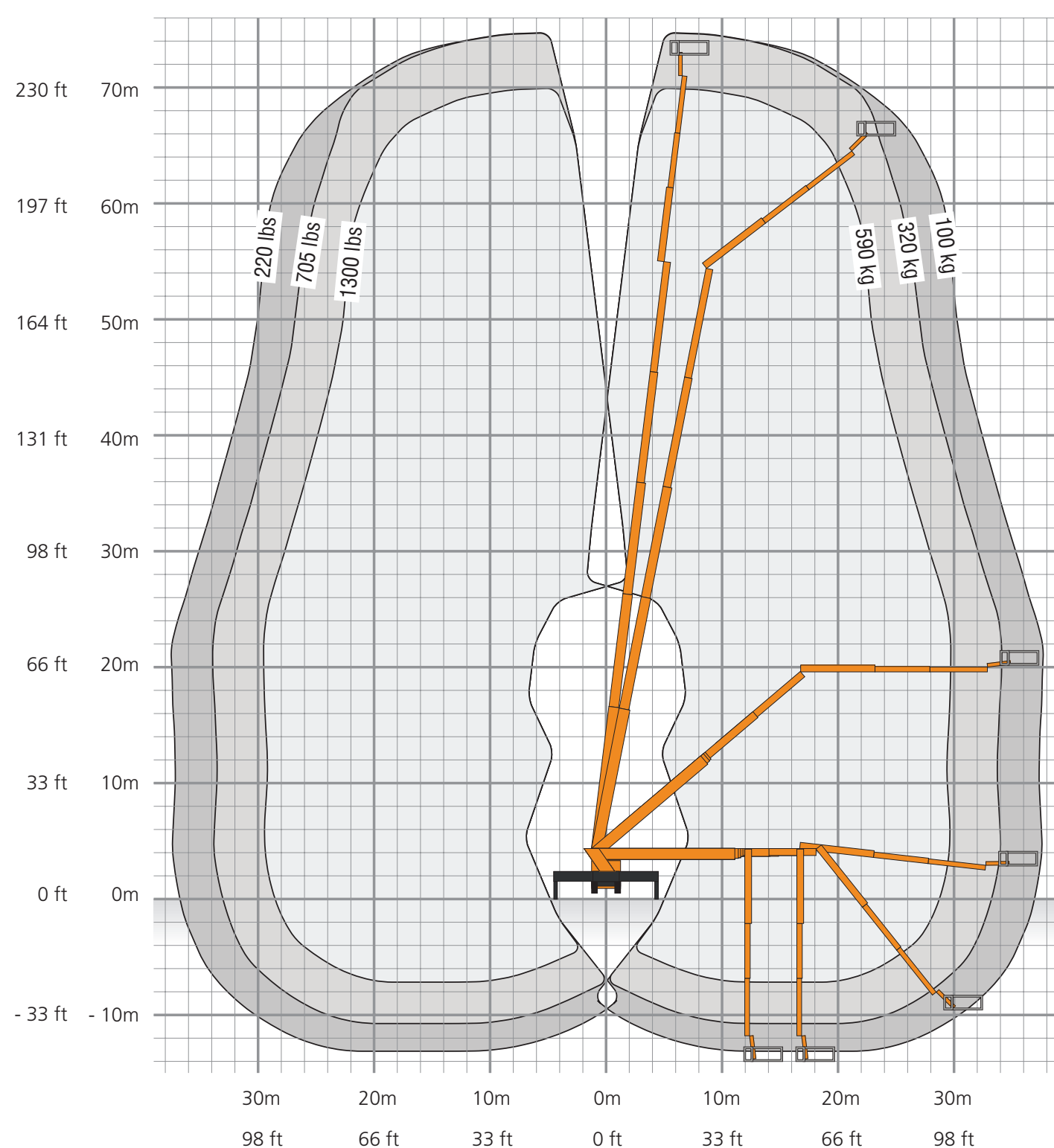
T 243 A on Kenworth T 800 Chassis

estimated weights
 FA: 31,500 lbs / 14,300 kg
 RA: 44,000 lbs / 19,960 kg
 Total: 75,500 lbs / 34,250 kg

DYNAMIC REACH SYSTEM 

RUTHMANN T 243 A

	243 ft 74 m		440°		12'6" x 3'2" 3.7m x 1.07m		1300 lbs 590 kg		45'10" 14 m
	121 ft 37 m		180°		2°		13'5" 4.08 m		75,500 lbs 34,250 kg



Compact package

- + 243 ft (74 m) working height
- + 121 ft (37 m) horizontal outreach
- + 1300 lb. (590 kg) platform capacity
- + 46 ft (14 m) below grade reach
- + Dynamic Reach System Available
- + Multi-beveled boom profile
- + Auto outrigger setting and leveling
- + COCKPIT intelligent control system
- + Kenworth T880 Chassis available
- + ANSI A92.2 and CSA C225 compliant